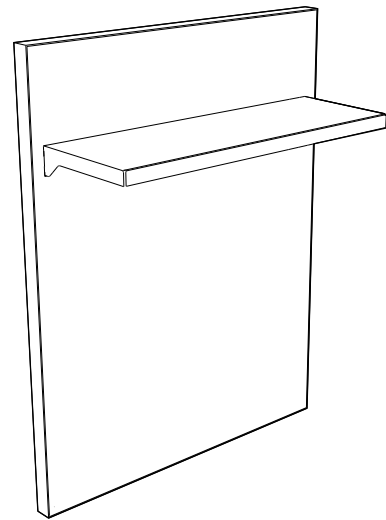
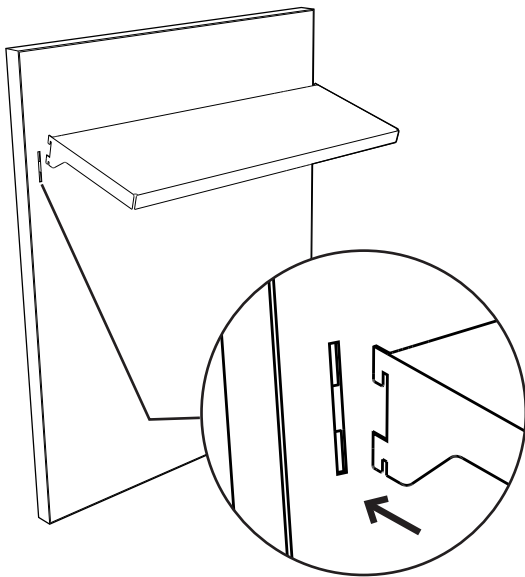
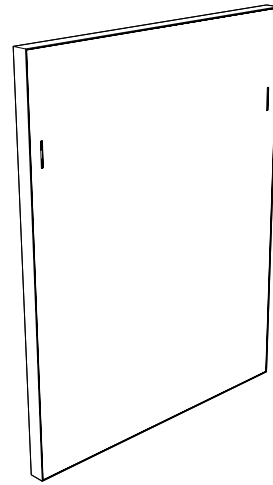
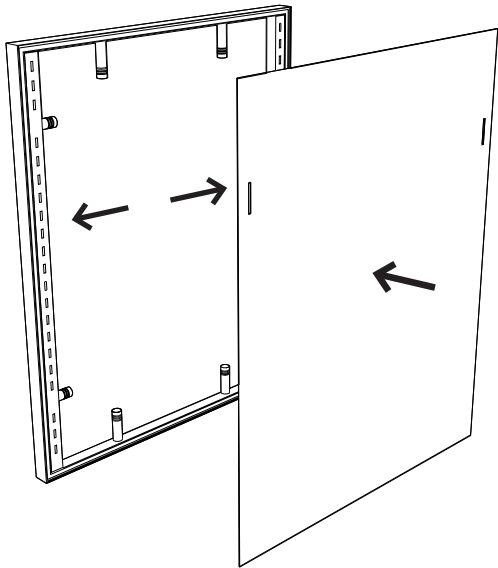


2.2

Clever Frame®
SHELF ASSEMBLY MANUAL
Modular Sales Support Architecture



Shelf assembly



Place the support profiles on the connectors inside the frame.

Apply the graphic panel.

Mount the shelf.

The shelf is ready to use.
