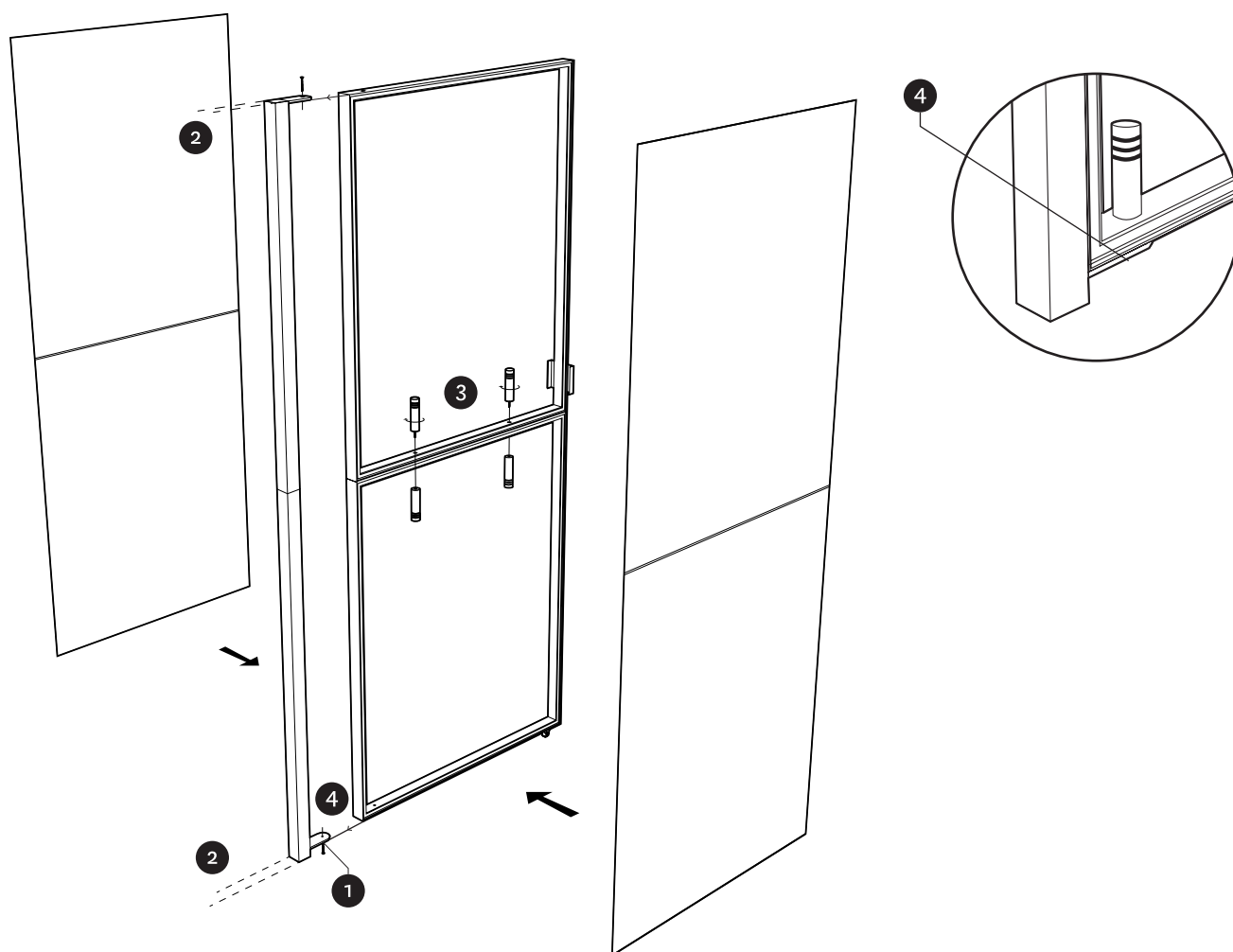


2.0

Clever Frame®
DOOR SYSTEM ASSEMBLY
Modular Sale Support Architecture

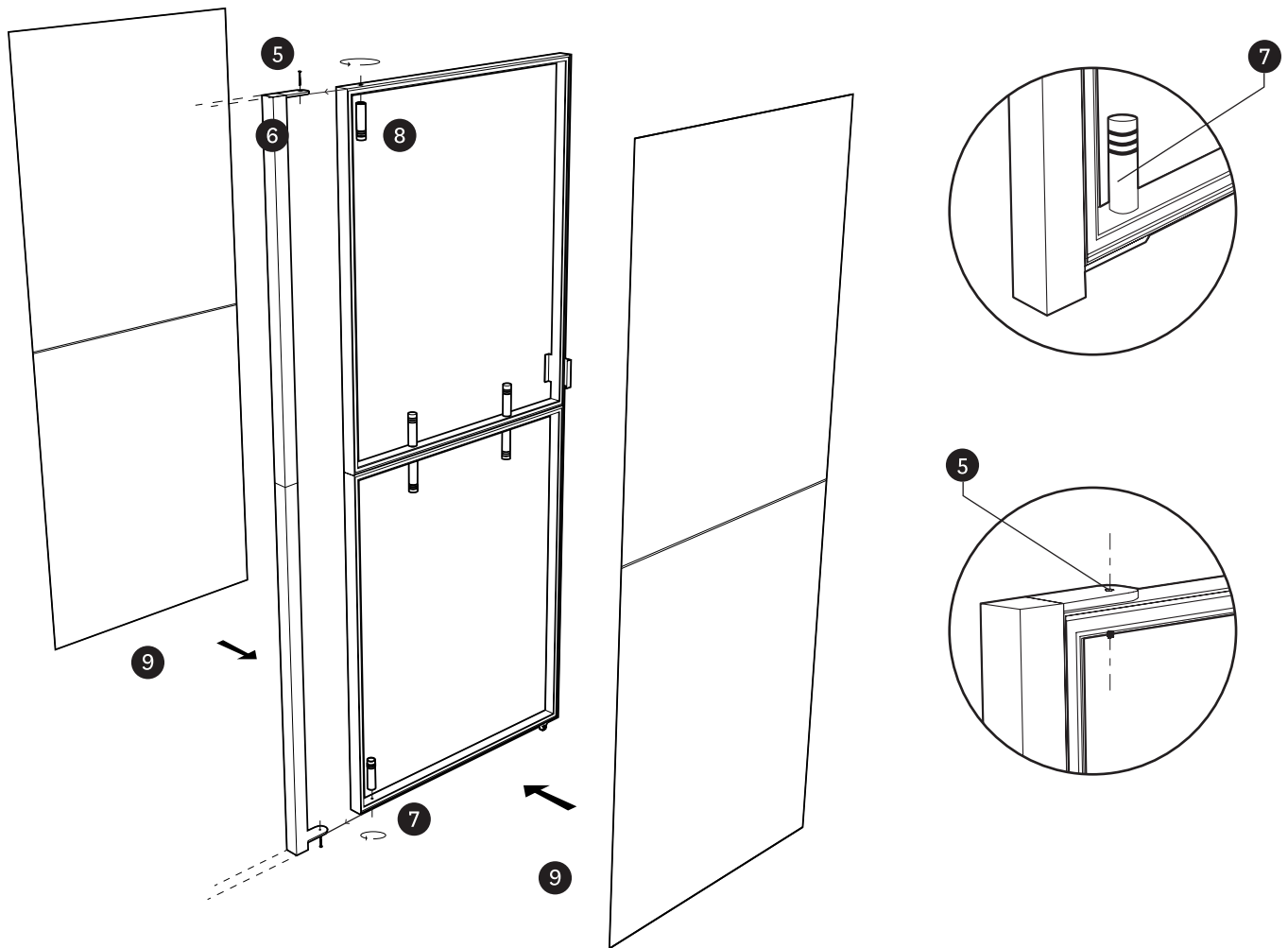


1. Place the screw in the hole of the bottom corner profile.

2. Attach the corner profiles to the construction supporting the door system.

3. Connect the door frames.

4. Place the door frames on the screw in the bottom corner profile.



5. Align the door frames with the hole in the top corner profile.

6. Place the screw through the hole in the top corner profile and the corresponding hole in the top door frame.

7. Hold the screw in the bottom corner profile and fasten it with the connector.
While tightening the screw leave it a little loose for the door to turn freely.

8. Fasten the top screw in a similar way.

9. Apply the graphic panels.
