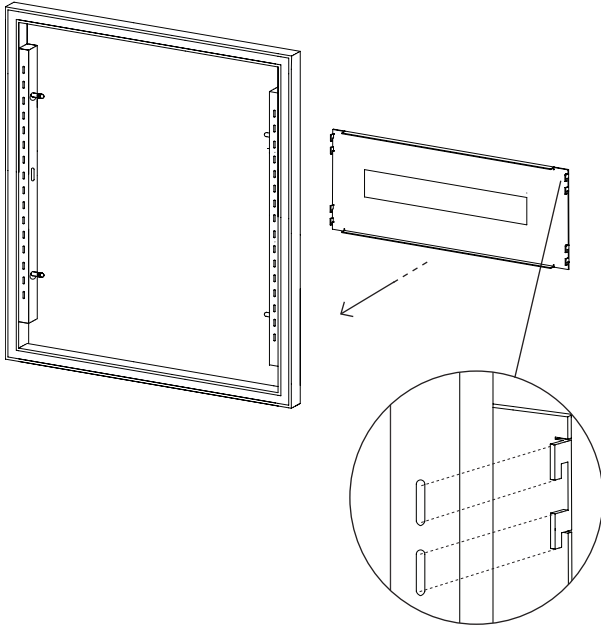


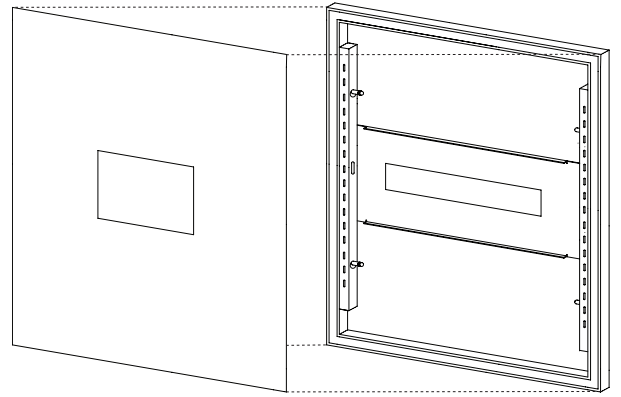
# 2.6

Clever Frame<sup>®</sup>  
**TV HOLDER ASSEMBLY MANUAL**  
Modular Sale Support Architecture

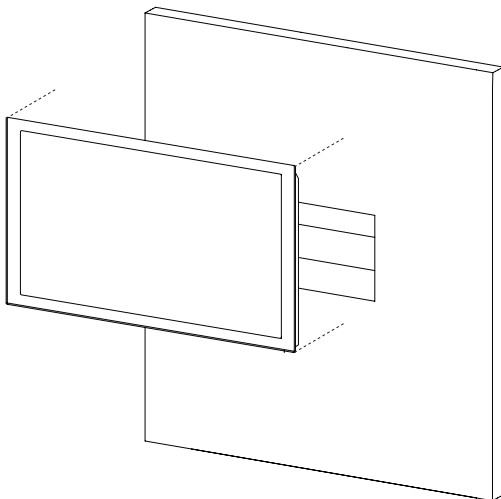
1



2



3



4

