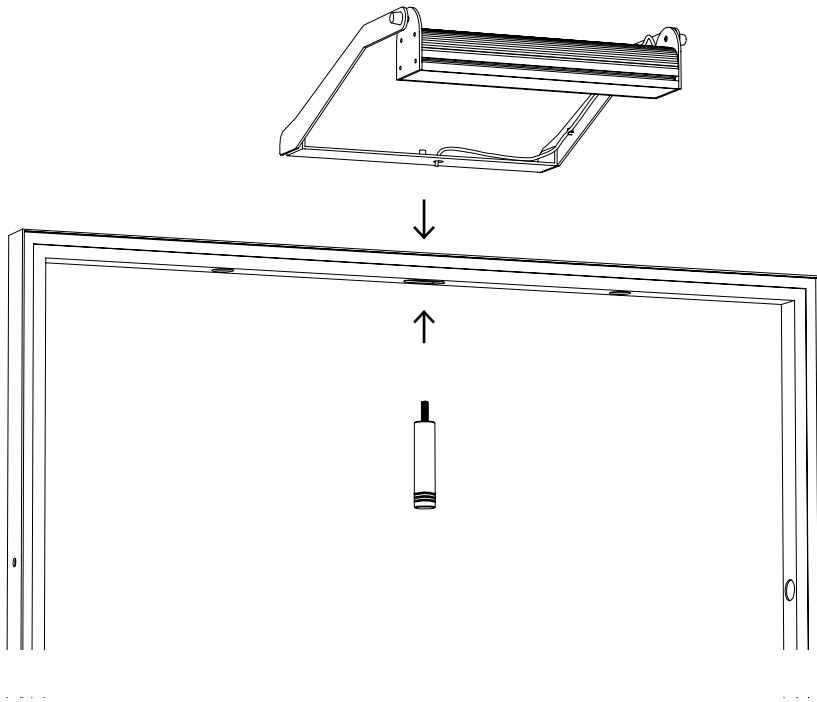


2.10 Clever Frame®

MONTAGEANLEITUNG - LED LAMPE
Modular Sale Support Architecture

1



2

