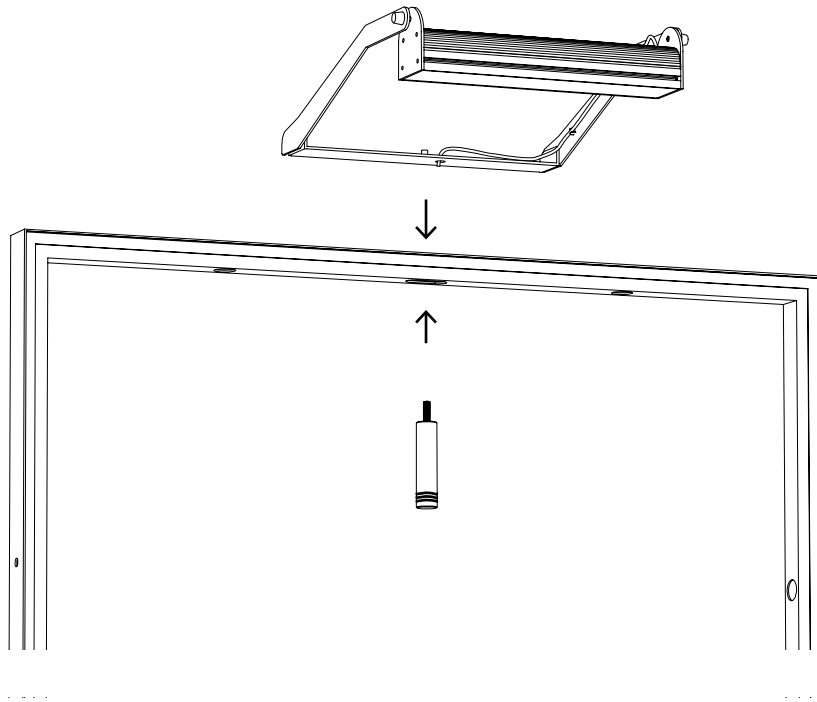


2.10

Clever Frame®  
**MONTAŽ LAMPY LED**

Modular Sale Support Architecture

1



2

