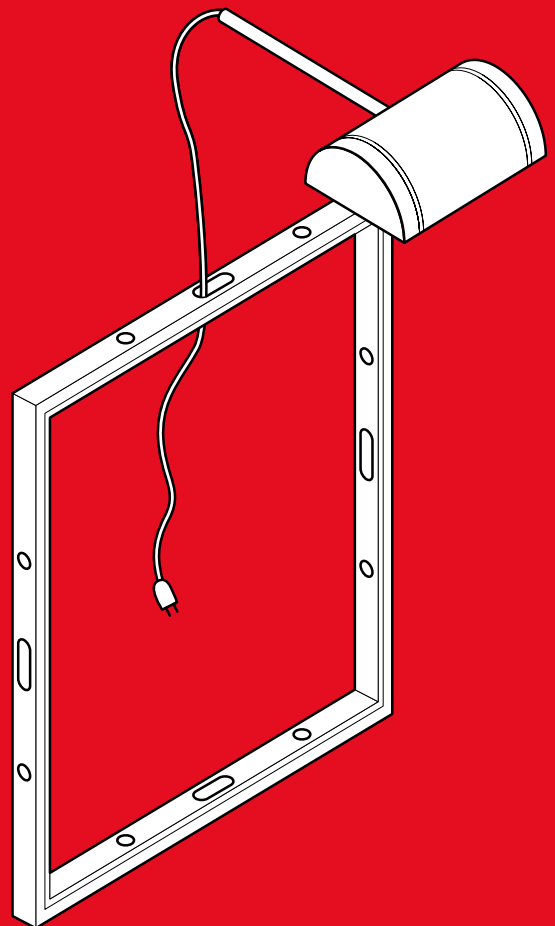




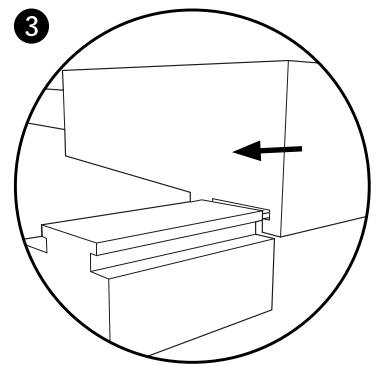
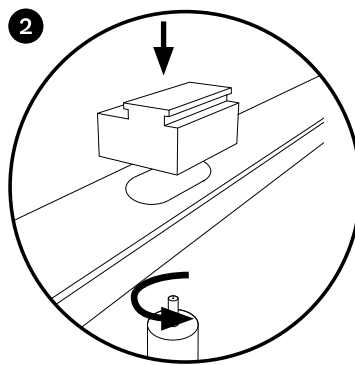
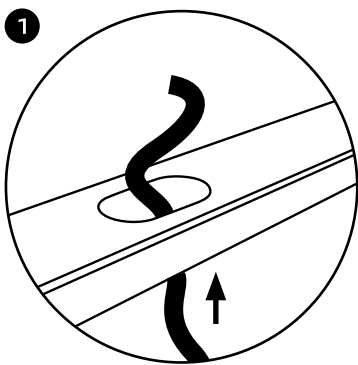
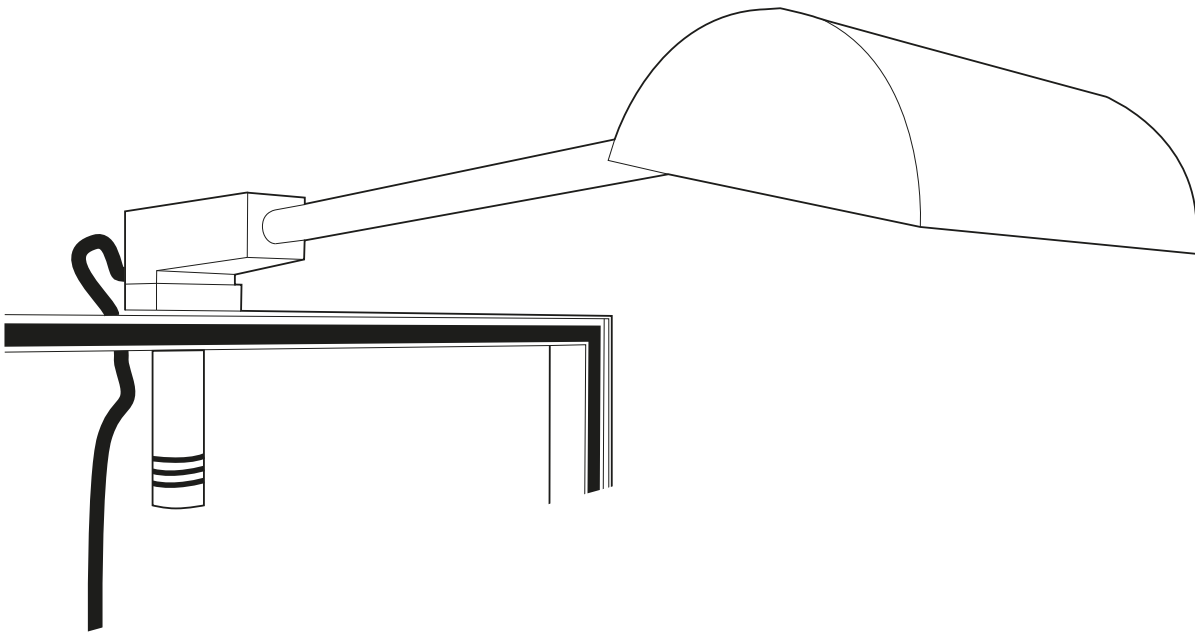
EN



**2.5** Clever Frame®  
**LAMP ASSEMBLY MANUAL**  
Modular Sale Support Architecture



# LAMP ASSEMBLY MANUAL



---

1. Pull the electrical cable in the direction indicated by the arrow.

---

2. Attach the mounting cube using the connector.

---

3. Fasten the lamp to the mounting cube.

---

4. Plug in the electrical cable.

---